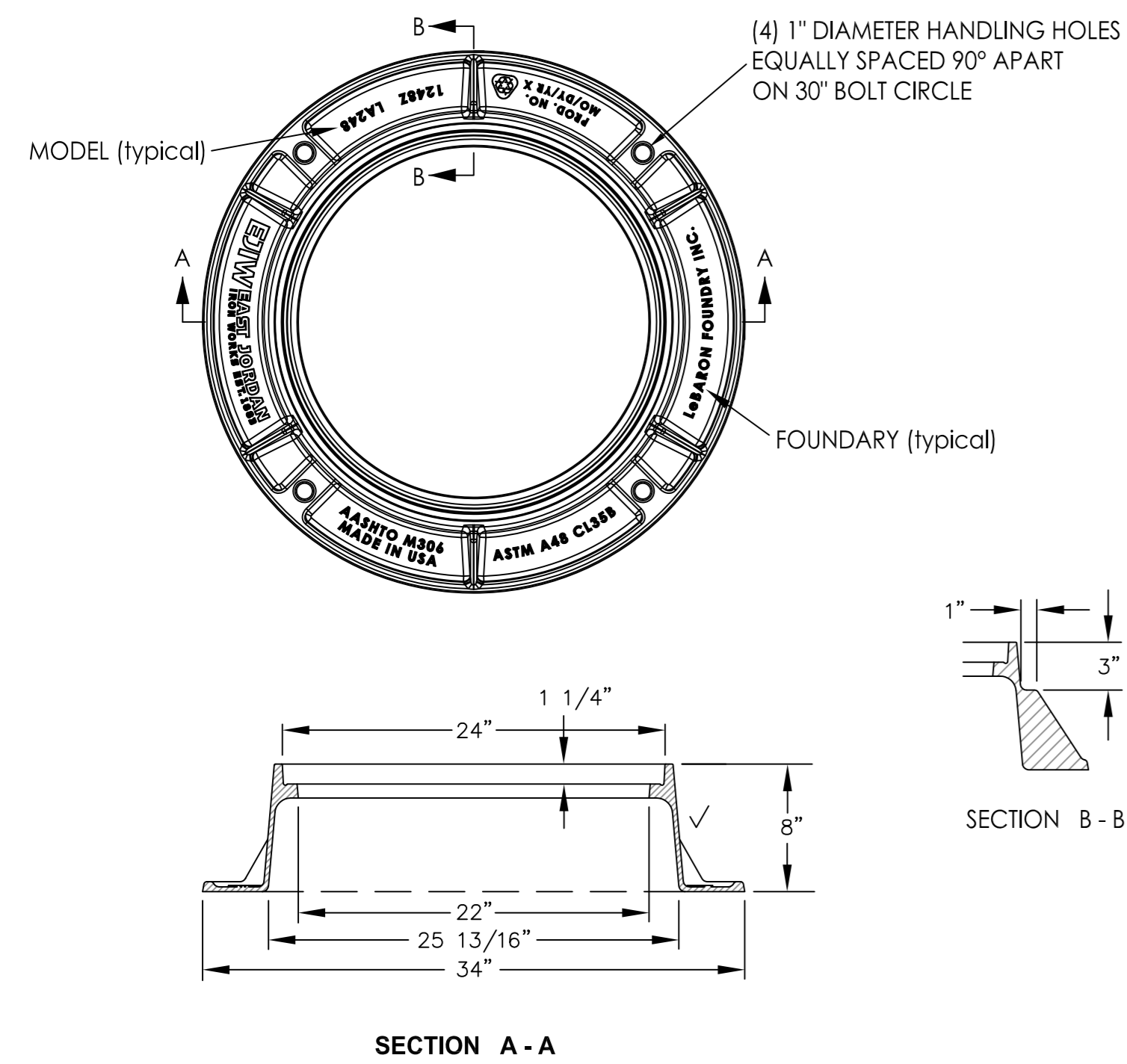


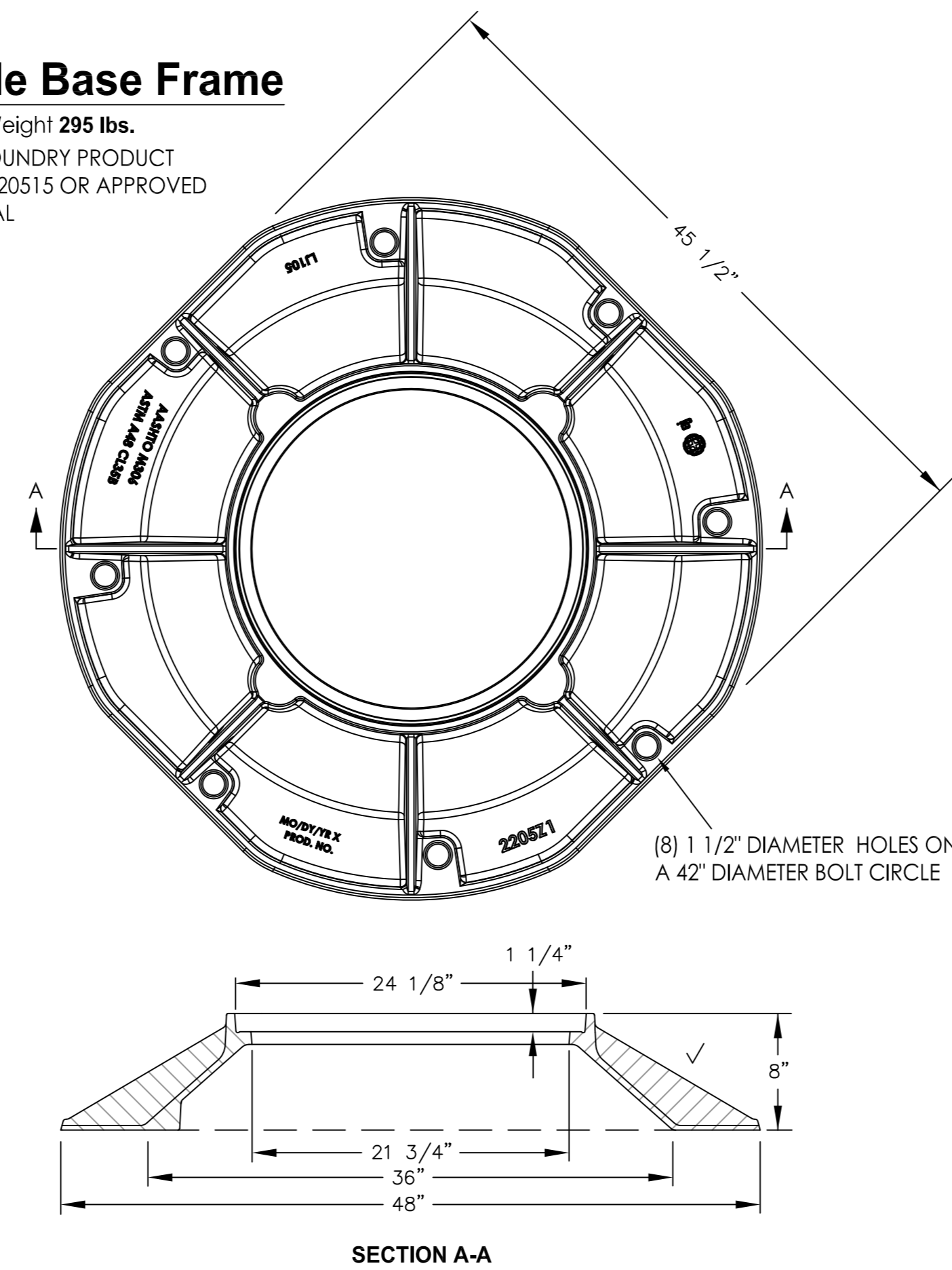
Top Hat Frame

Weight 120 lbs.
EJ FOUNDRY PRODUCT
#00124811 OR APPROVED
EQUAL



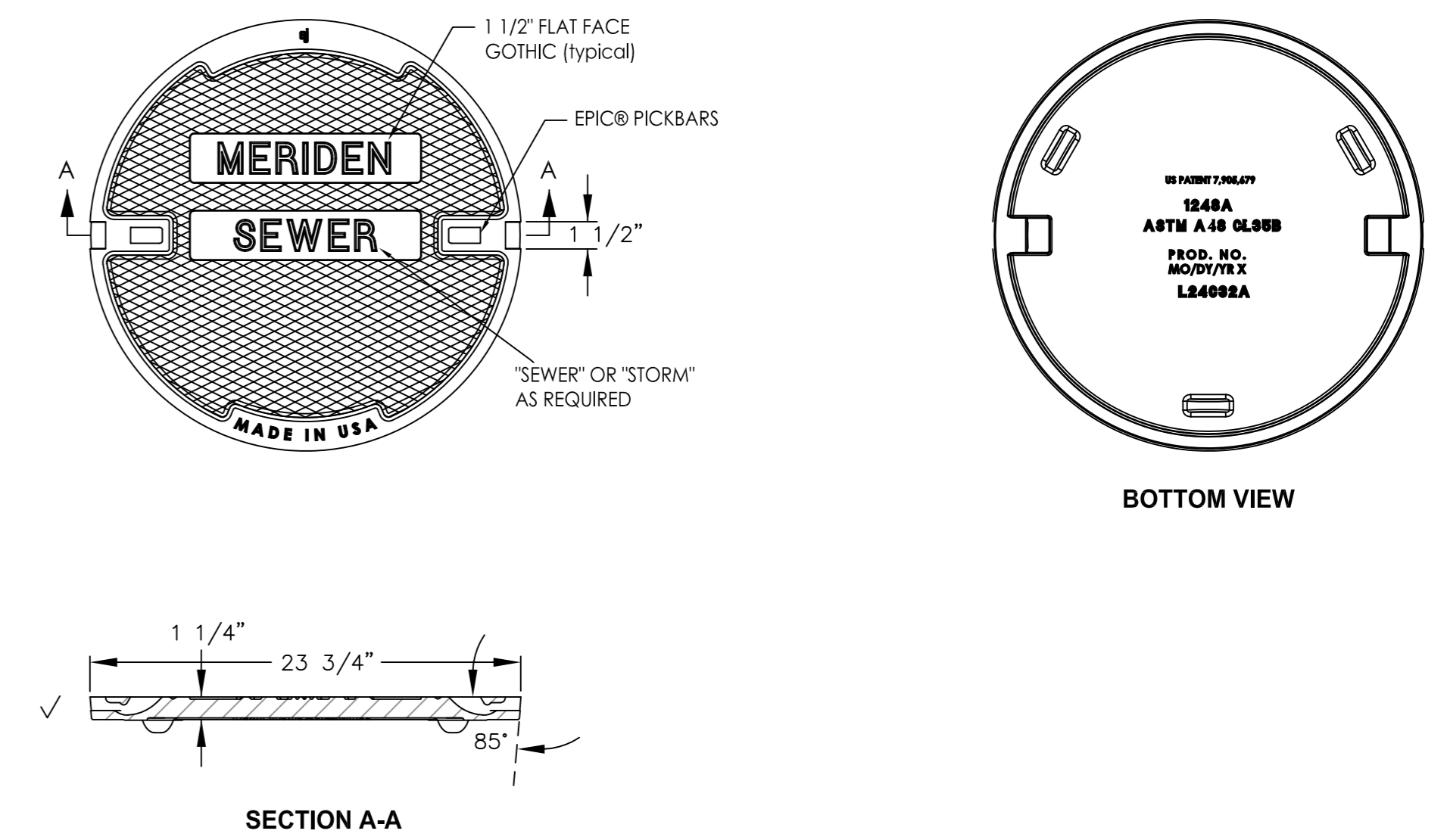
Wide Base Frame

Weight 295 lbs.
EJ FOUNDRY PRODUCT
#00220515 OR APPROVED
EQUAL



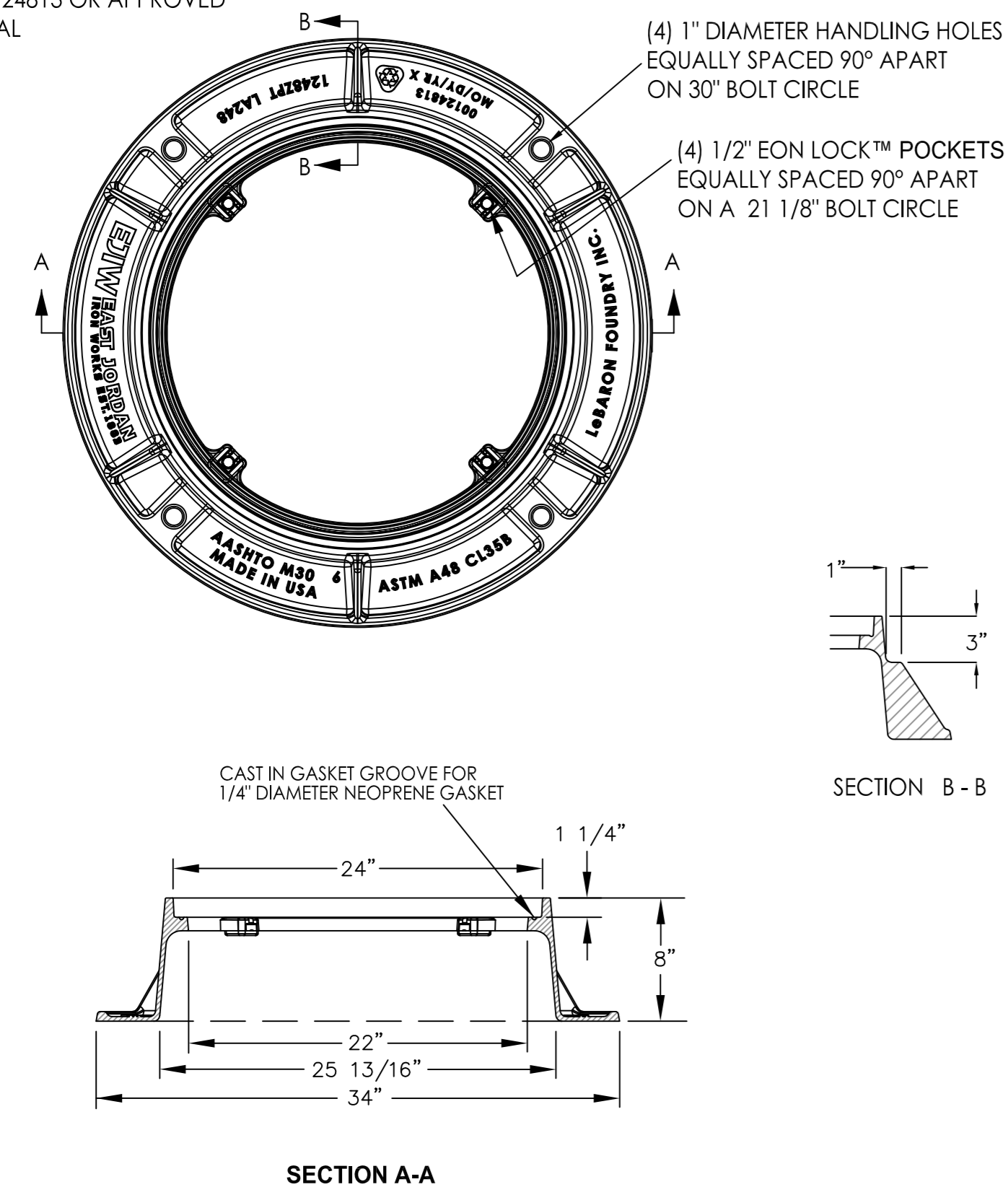
Cover

Weight 123
EJ FOUNDRY PRODUCT
#00124878 OR APPROVED
EQUAL



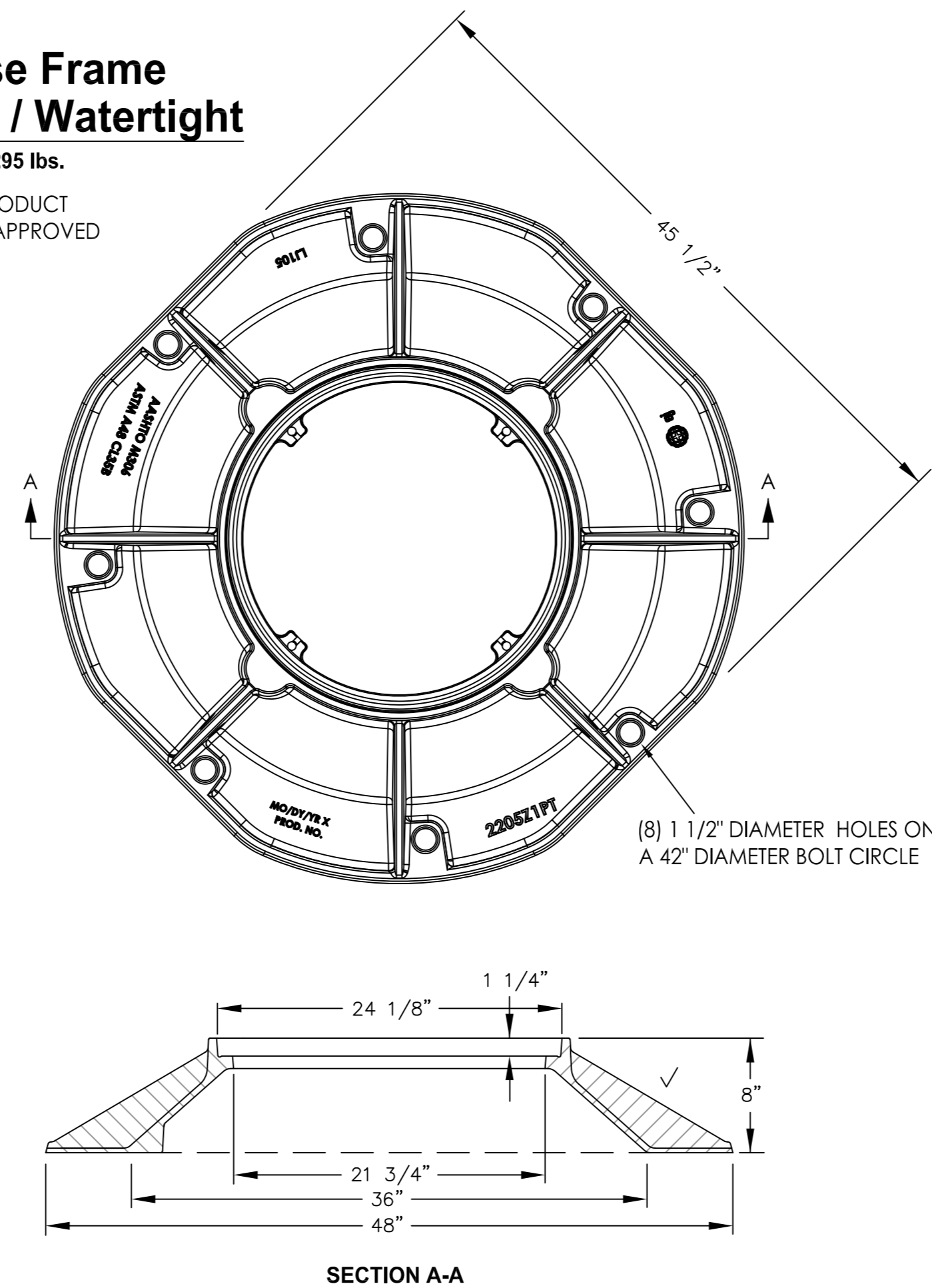
Top Hat Frame Lockable / Watertight

Weight 120 lbs.
EJ FOUNDRY PRODUCT
#00124813 OR APPROVED
EQUAL



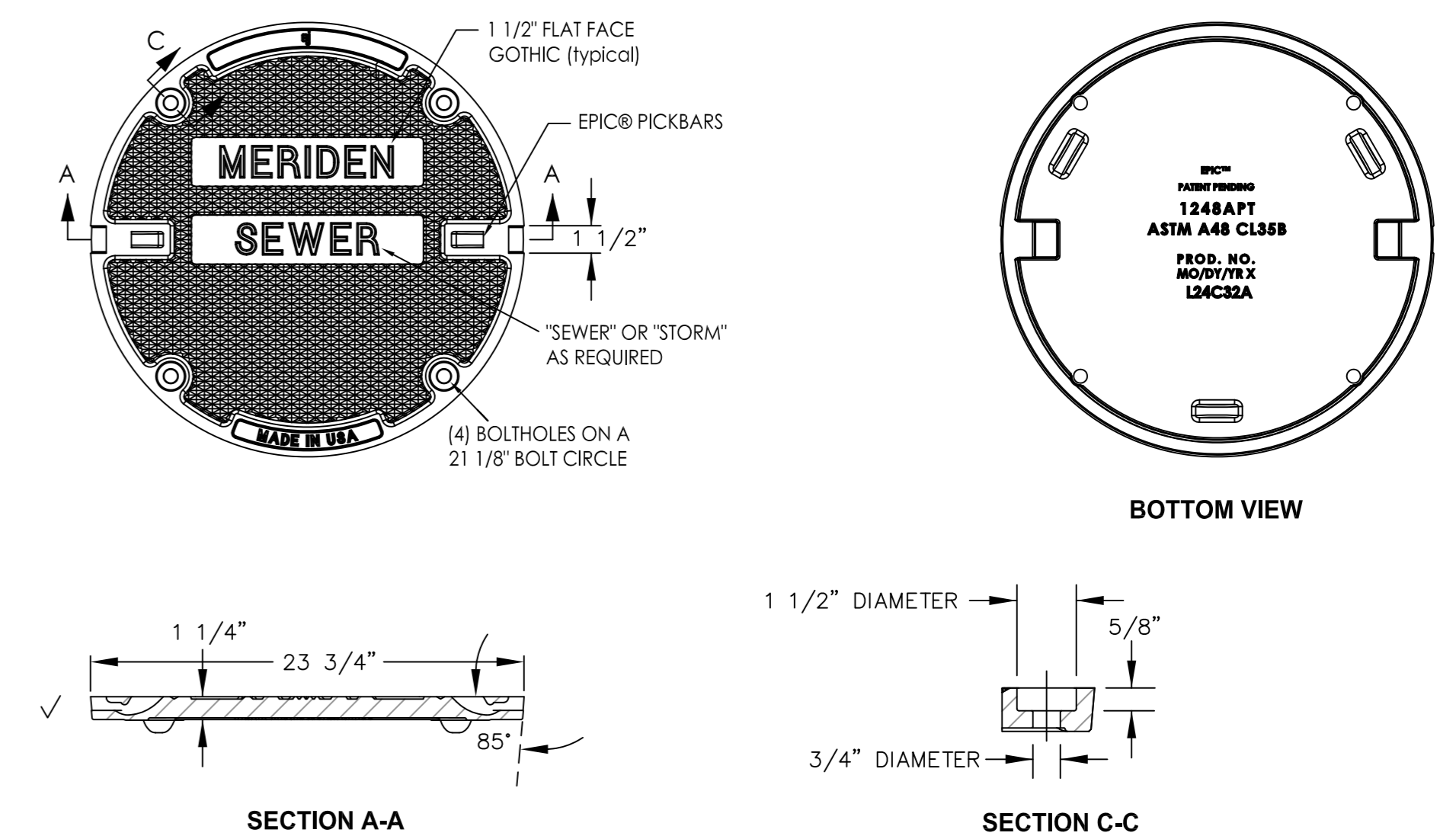
Wide Base Frame Lockable / Watertight

Weight 295 lbs.
EJ FOUNDRY PRODUCT
#00220517 OR APPROVED
EQUAL



Cover Lockable / Watertight

Weight 116
EJ FOUNDRY PRODUCT
#00124876 OR APPROVED
EQUAL



Design Features
-Materials
-Gray Iron (CL35B)
-Design Load
-Heavy Duty
-Open Area
-Coating
-Undipped
-√/Designates Machined Surface

Certification
-ASTM A48
-Country of Origin: USA

Detail Sheet

Manhole Standards

DEPARTMENT OF PUBLIC WORKS

Engineering Division
City Hall Room 19
Meriden, Connecticut

DATE: 06/06/13
DESIGN: BBD
DRAWN: BBD
SCALE: Not to Scale
DWG. SHEET 1 OF 1