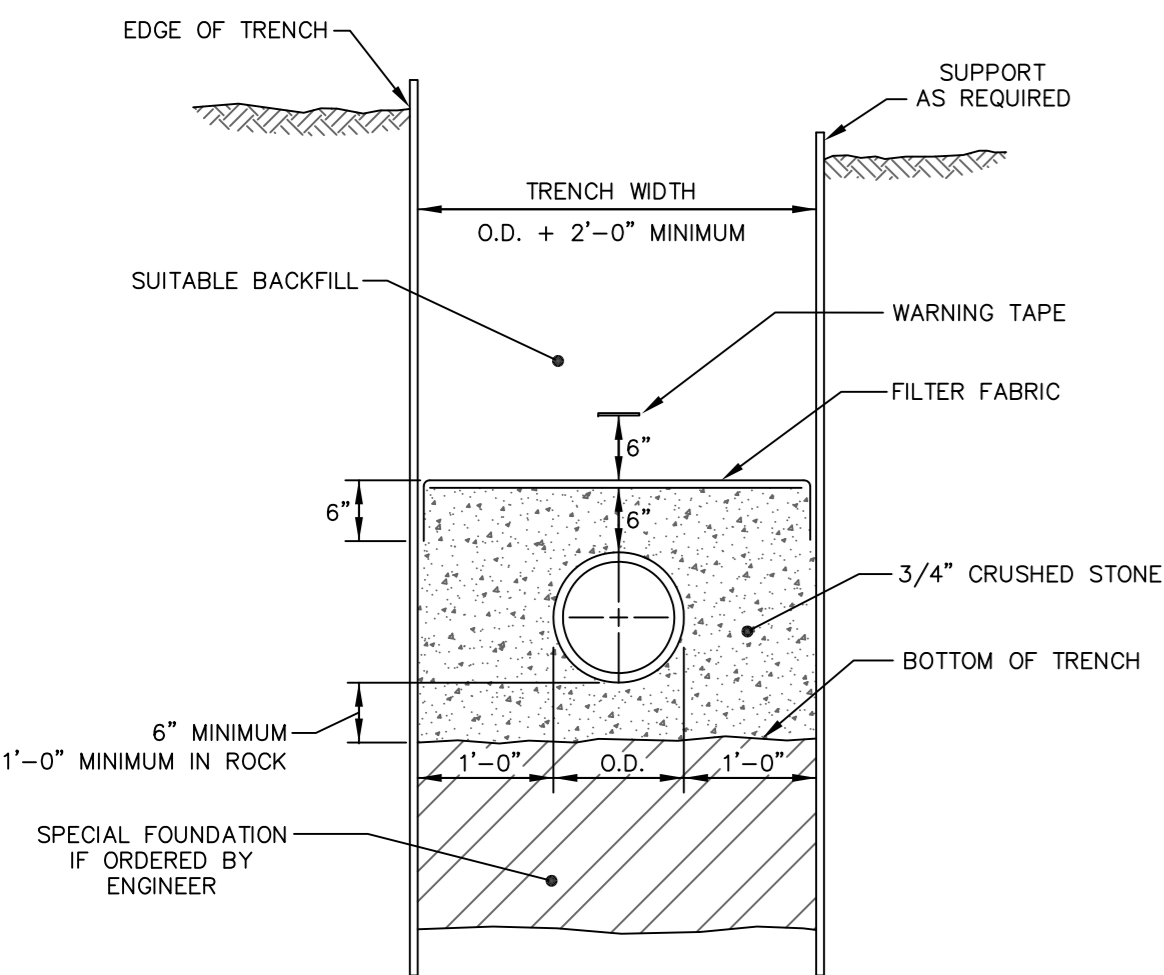


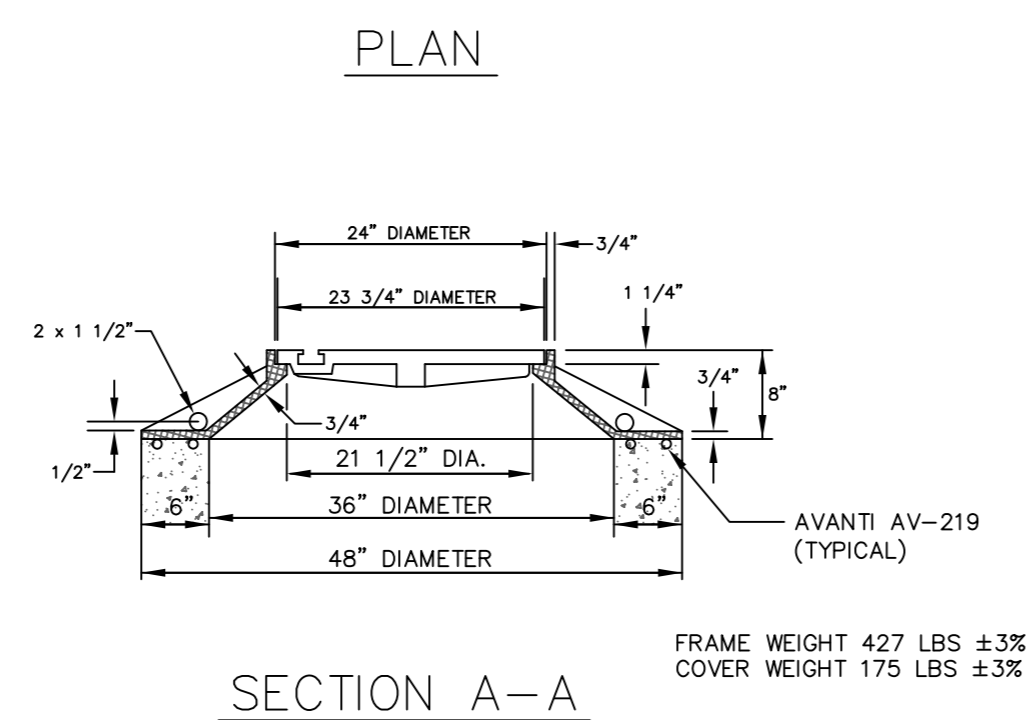
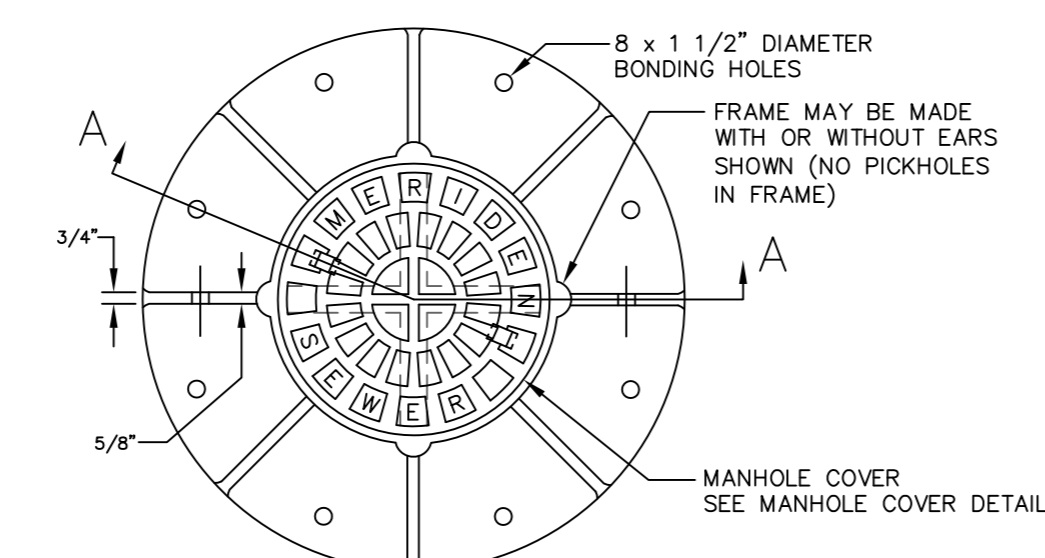
INSIDE DROP MANHOLE
SANITARY SEWER

GENERAL NOTES FOR MANHOLES:

- Backfill all manholes with bank-run gravel.
- All pipe, chimney, and drop encasements to be class 'A' concrete. Class 'A' concrete shall be 3000 psi strength at 28 days.
- Manholes which are located in rights-of-way off City streets shall have bolt down manhole covers.

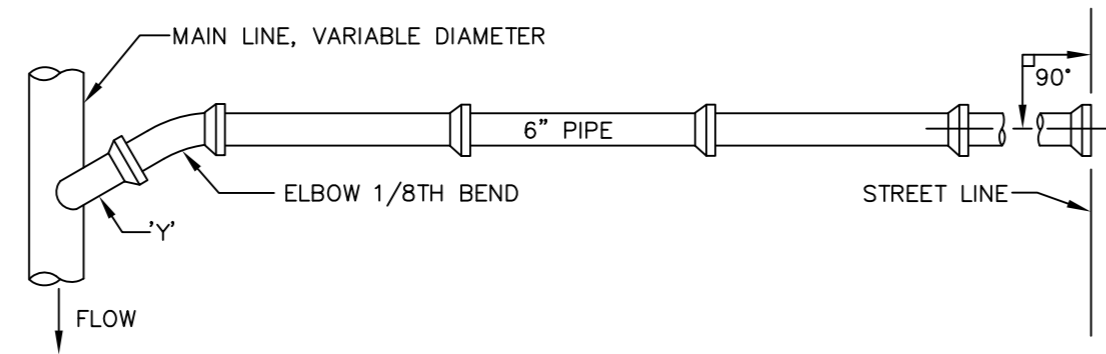


TYPICAL TRENCH SECTION
SANITARY SEWER

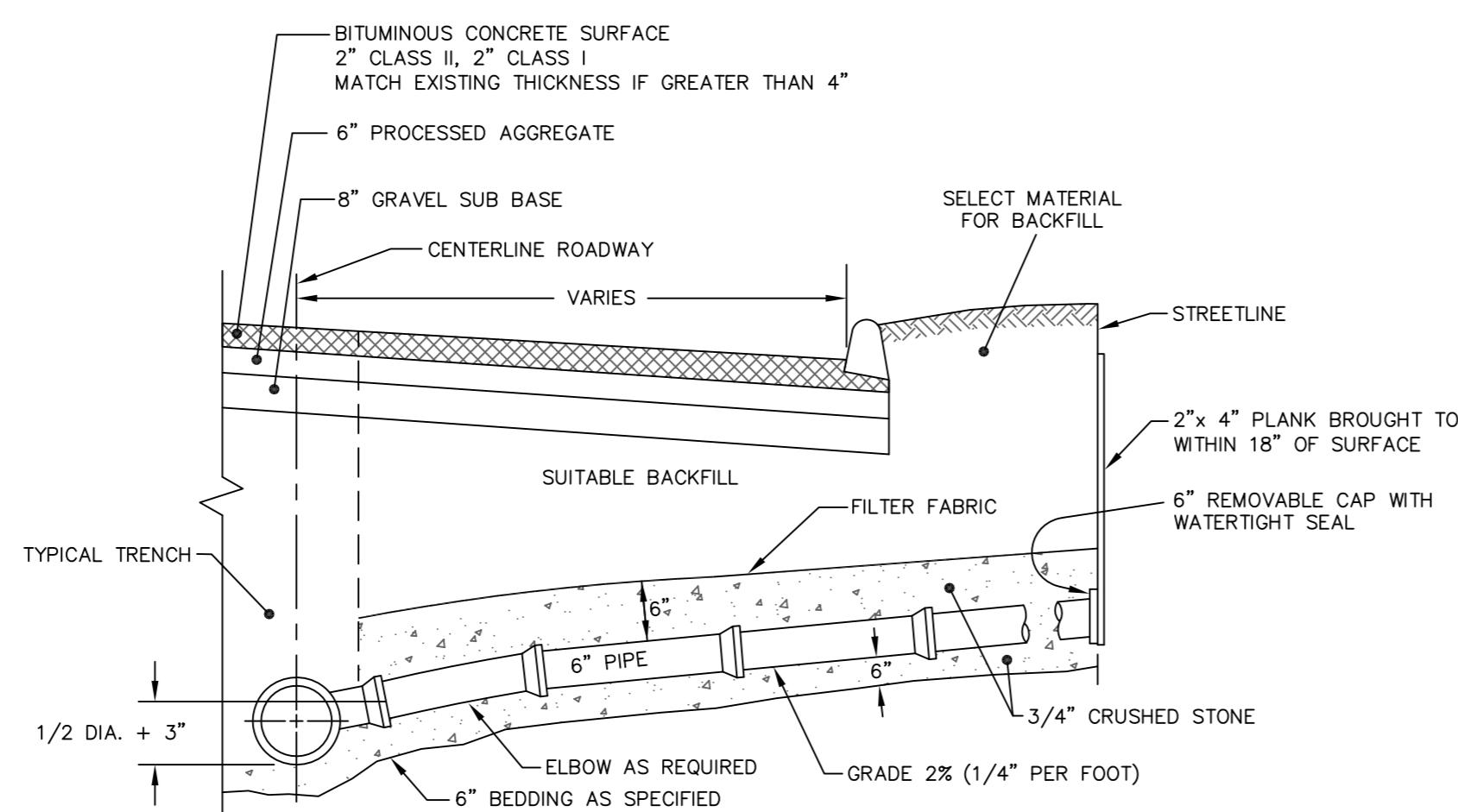


- NOTES
- MANHOLE FRAME AND COVER TO BE LeBARON FOUNDRY INC. CATALOG NUMBER LJ 116 OR APPROVED EQUAL WITH A MINIMUM WEIGHT OF 602 LBS ±3%
 - MACHINE BEARING SURFACE REQUIRED ON THE FRAME SEAT AND COVER.

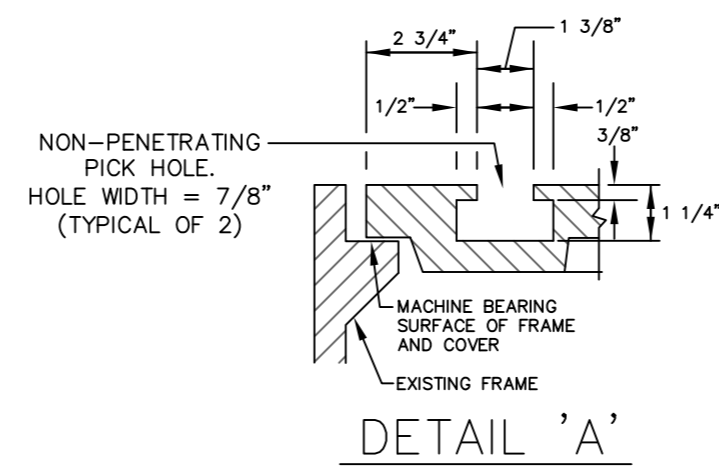
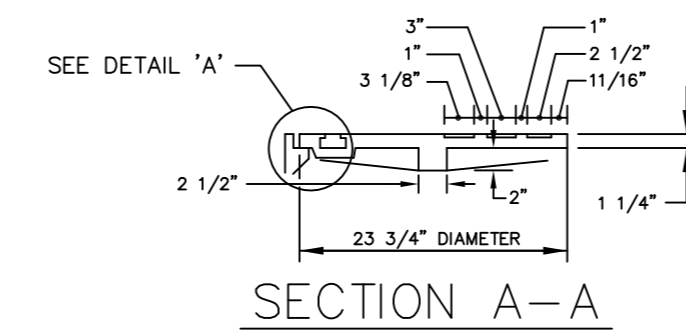
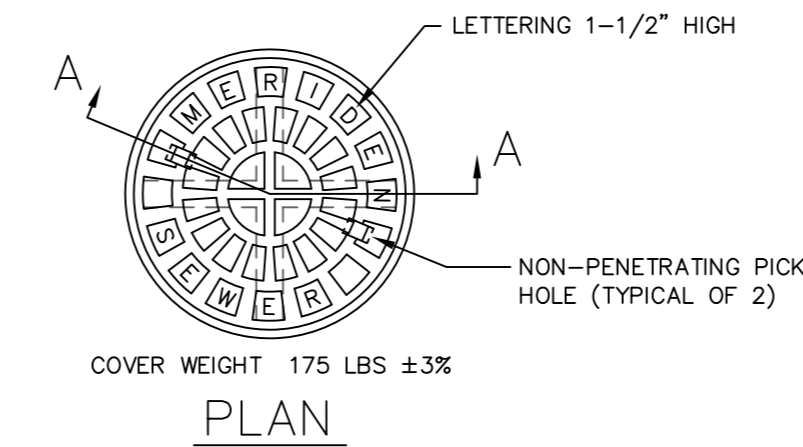
SANITARY SEWER MANHOLE FRAME



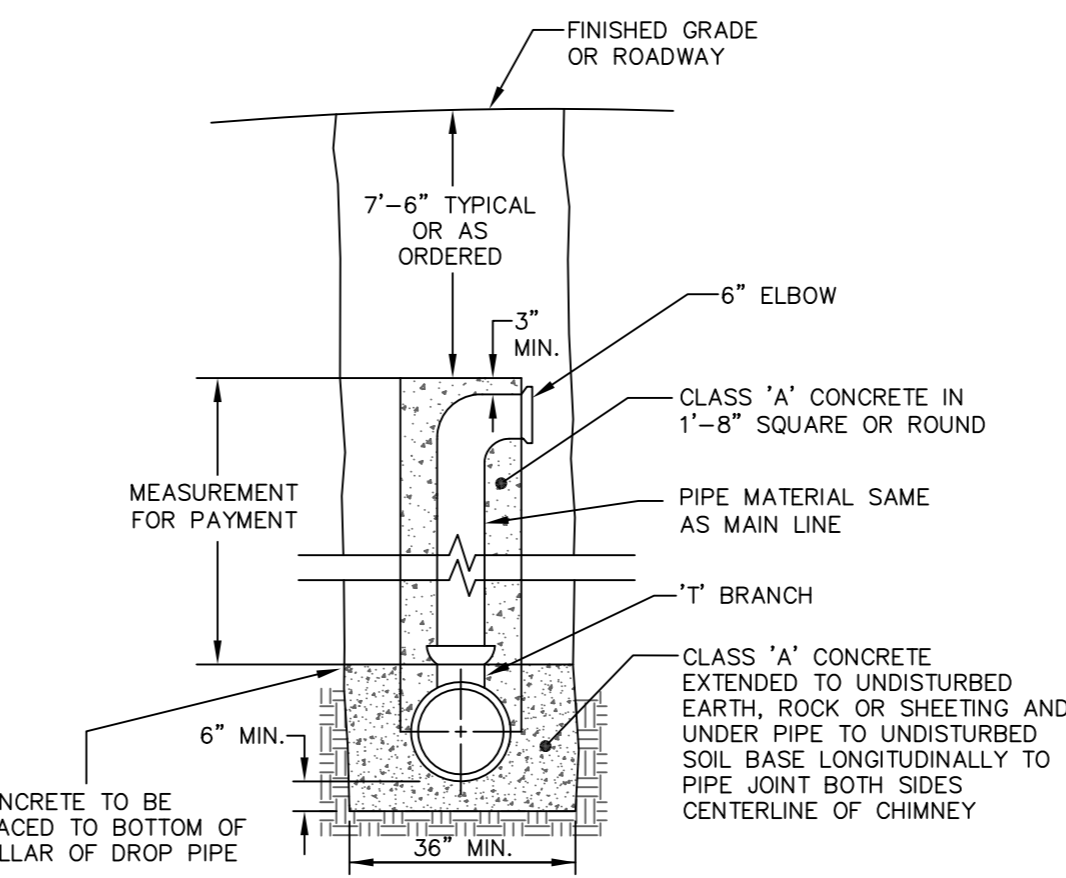
TYPICAL HOUSE CONNECTION LATERAL
PLAN VIEW



TYPICAL HOUSE CONNECTION LATERAL
PROFILE VIEW



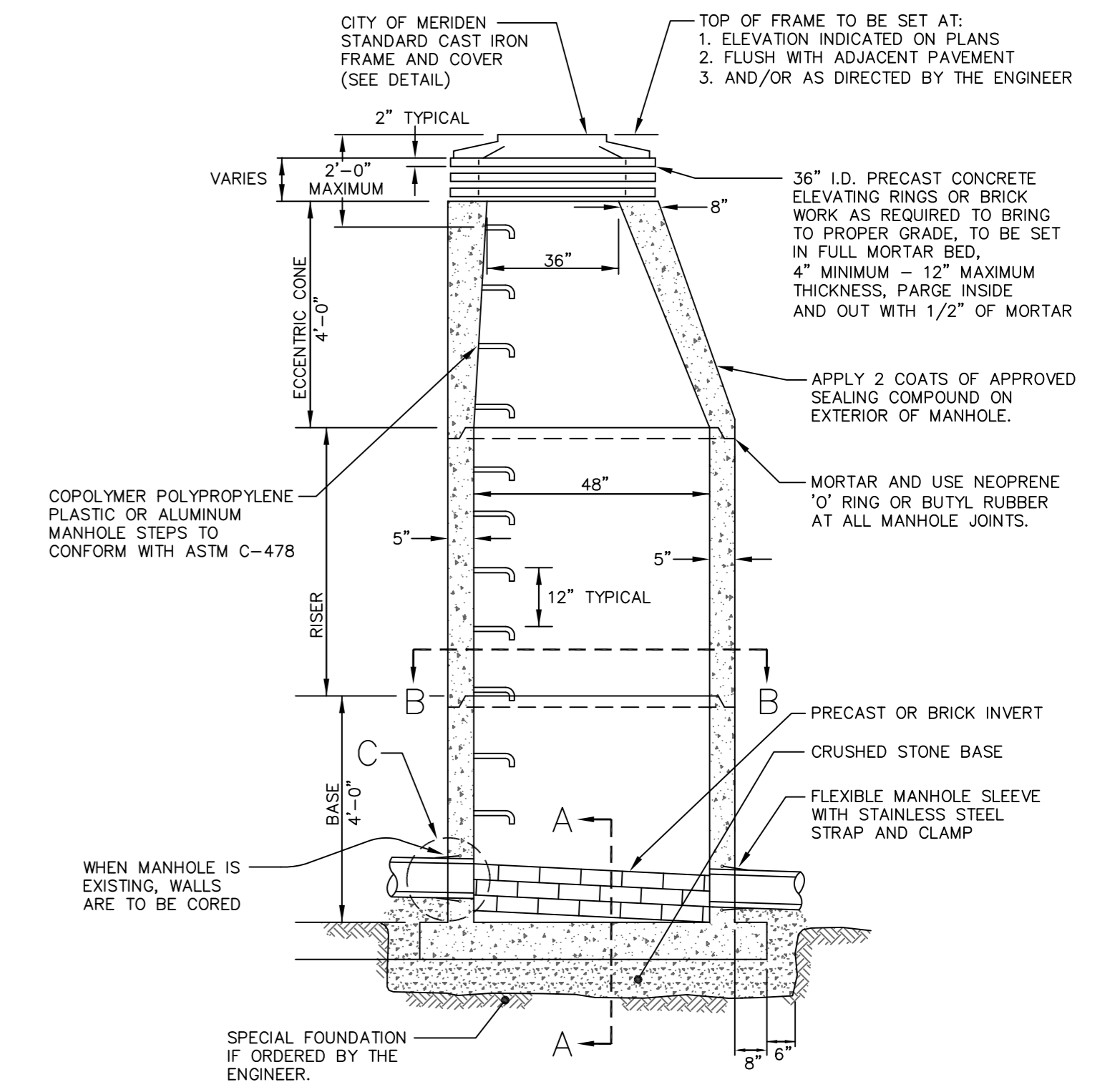
SANITARY SEWER MANHOLE COVER



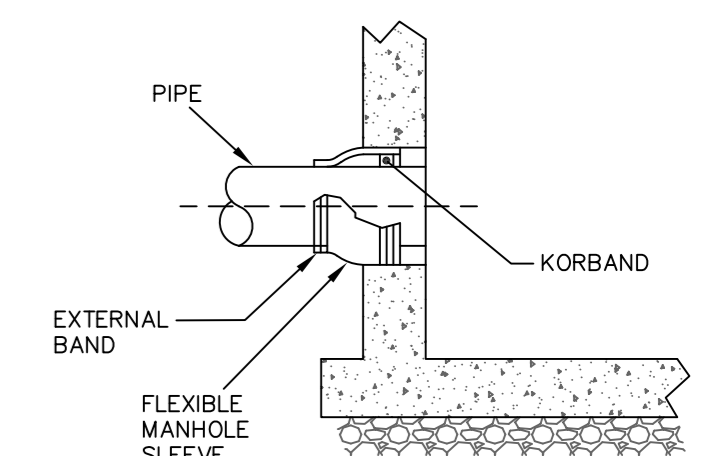
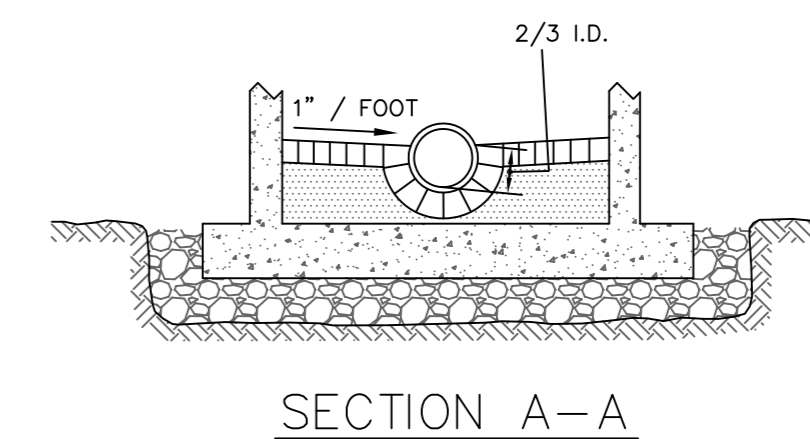
TYPICAL CHIMNEY

SANITARY SEWER MAIN EXTENSION STANDARD NOTES:

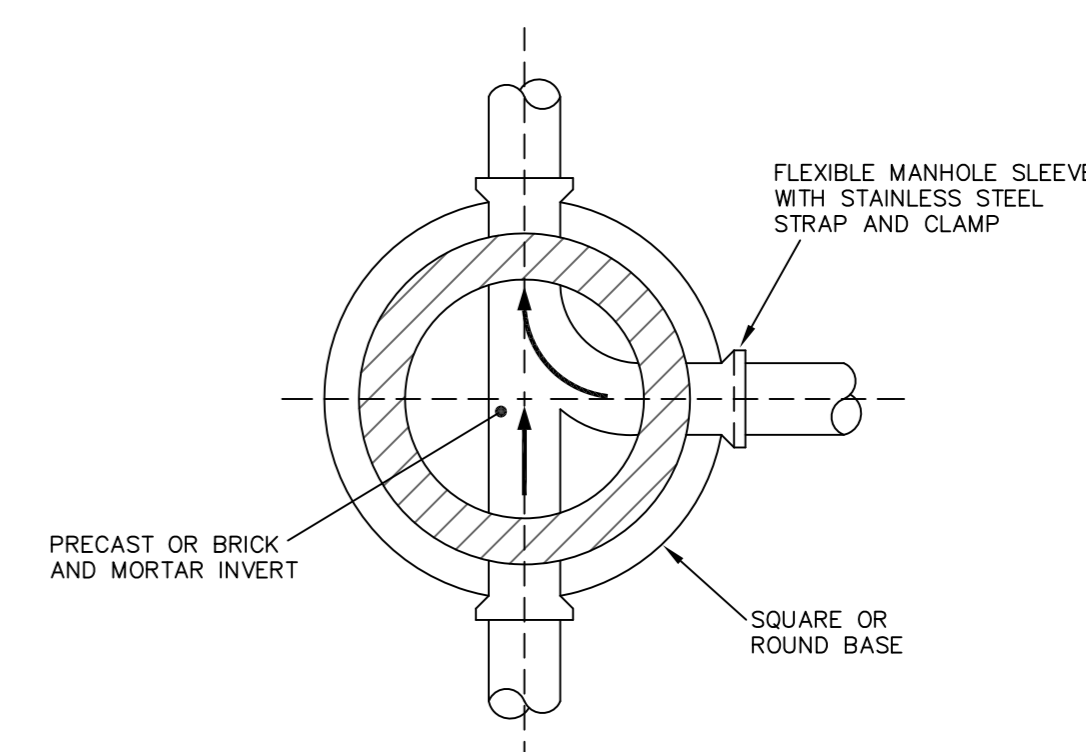
- The sanitary sewer main and service connection must be constructed in accordance with the City of Meriden Department of Public Works Standards and Specifications.
- The Contractor must contact "Call Before You Dig" at 1-800-922-4455 for location and marking of all existing utilities prior to any excavation.
- Upon completion of the sanitary sewer main installation, as-built plans must be submitted to the City of Meriden Engineering Division and certified by a licensed Land Surveyor or Civil Engineer. These plans must be in accordance with the Engineering Division standards.
- Sanitary sewer lines shall be a minimum of ten feet apart horizontally and 18" apart vertically from any water line.
- A pre-construction meeting must be held one week prior to beginning construction to include the Contractor, Design Engineering, and City Engineering staff. The Contractor shall be responsible for organizing this meeting.
- The City Public Works Facility Inspector must be notified by the Contractor a minimum of 48 hours prior to beginning construction.
- Final wye locations must be coordinated with the individual property owners prior to beginning construction.
- A public hearing must be held for any sanitary sewer main extension and Public Utilities Commission approval will be required.
- Sanitary sewer main lines must pass a low pressure air test per City of Meriden Specifications. TV/ videotape inspection of the main line will be required per City of Meriden Requirements.
- Sanitary sewer manholes must pass a vacuum test per City of Meriden Specifications.



SANITARY SEWER MANHOLE



CORING OF EXISTING MANHOLE



SECTION B-B

Detail Sheet		DATE: 04/02/12
Sanitary Sewer Standards		DESIGN: BBD
DEPARTMENT OF PUBLIC WORKS		SCALE: Not to Scale
Engineering Division		DWG.
City Hall	Room 19	SHEET 1
Meriden, Connecticut		OF 1