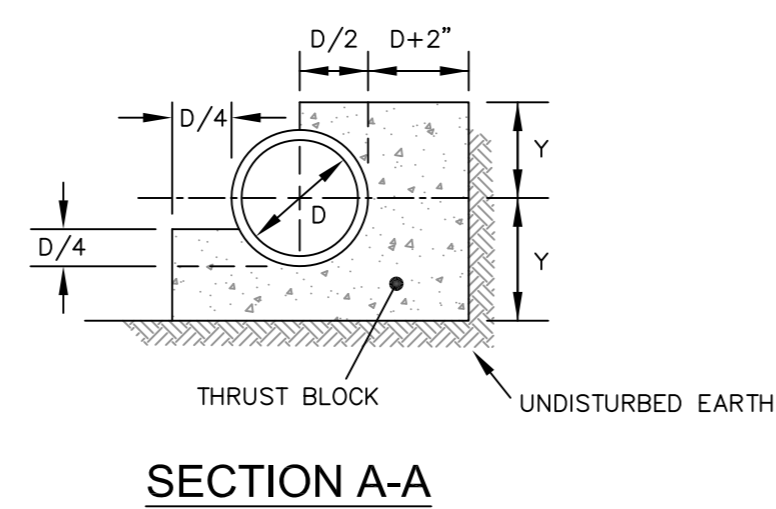


PLAN

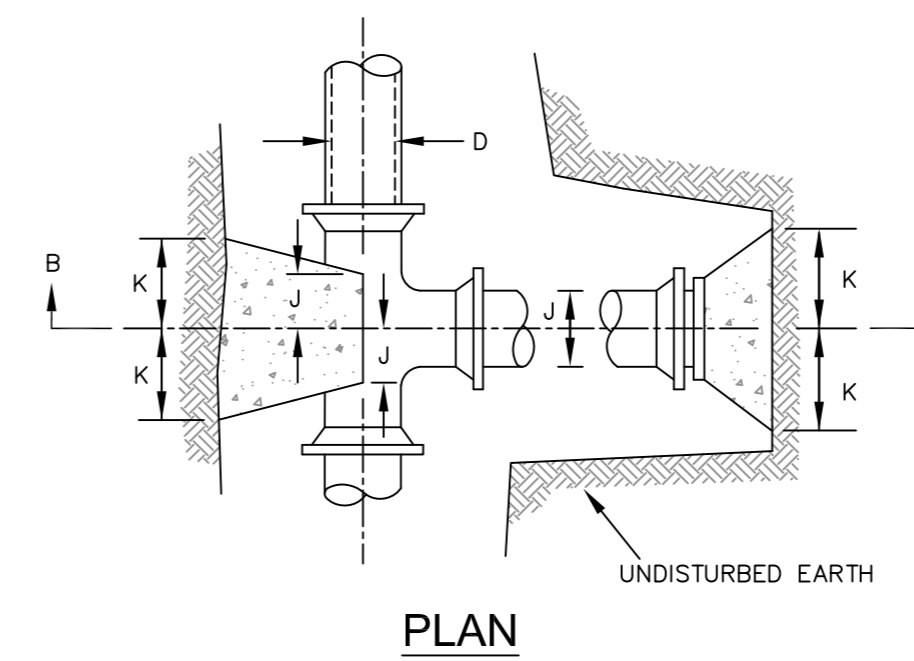


SECTION A-A

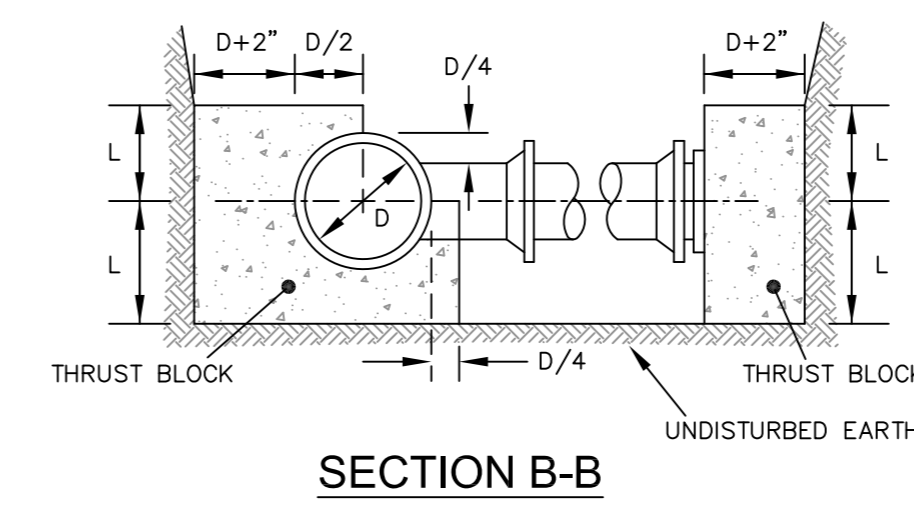
1. ALL CONCRETE SHALL BE 3000 psi @ 28 DAYS.
2. DIMENSIONS SHOWN ARE MINIMUM AND ARE BASED UPON SOIL PRESSURE OF 2000 psf AND STATIC WATER PRESSURE OF 200 psi.
3. THRUST BLOCKS SHALL BEAR AGAINST UNDISTURBED EARTH.

DIMENSION	TABLE OF DIMENSIONS																			
	90° BEND				45° BEND				22½° BEND				11¼° BEND							
D (in)	6	8	10	12	16	6	8	10	12	16	6	8	10	12	16	6	8	10	12	16
X (in)	26	37	42	54	70	18	26	34	38	51	21	19	24	28	38	9	14	16	20	28
Y (in)	15	18	24	26	35	12	14	16	20	26	10	10	12	14	18	6	7	9	10	12

WATER MAIN BEND CONCRETE THRUST BLOCK DETAIL
NOT TO SCALE



PLAN

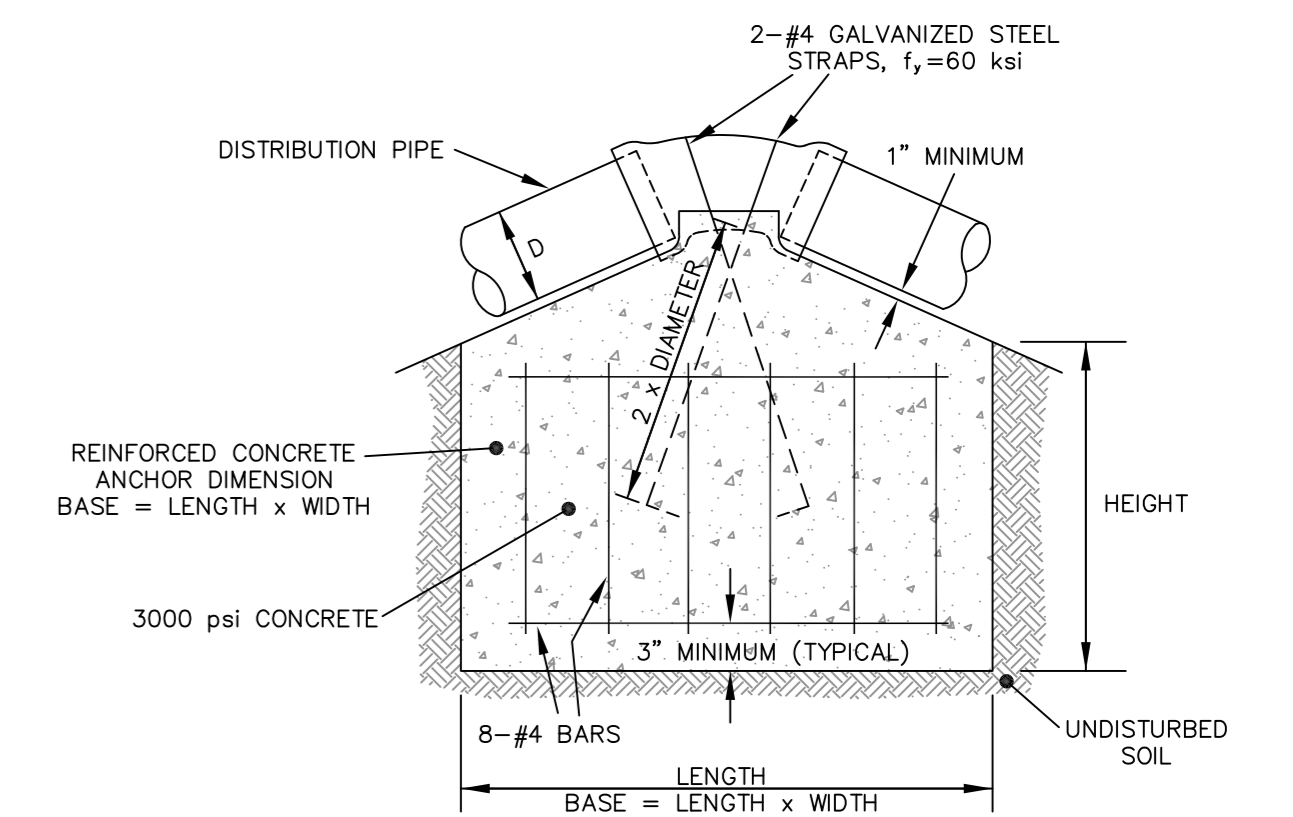


SECTION B-B

1. ALL CONCRETE SHALL BE 3000 psi @ 28 DAYS.
2. DIMENSIONS SHOWN ARE MINIMUM AND ARE BASED UPON SOIL PRESSURE OF 2000 psf AND STATIC WATER PRESSURE OF 200 psi.
3. THRUST BLOCKS SHALL BEAR AGAINST UNDISTURBED EARTH.

DIMENSION	TABLE OF DIMENSIONS									
	B (in)		J (in)		K (in)		L (in)			
B (in)	6	8	10	12	16	6	8	10	12	16
J (in)	6	7	9	10	12	6	7	9	10	12
K (in)	12	15	20	24	30	12	15	20	24	30
L (in)	12	16	18	22	30	12	16	18	22	30


WATER MAIN TEE / PLUG CONCRETE THRUST BLOCK
NOT TO SCALE



TYPICAL CONCRETE ANCHOR
NOT TO SCALE

BEND	45°				22½°			
	PIPE DIAMETER (D) IN INCHES							
PIPE DIAMETER (D) IN INCHES	12	8	6	12	12	8	6	12
VOLUME OF CONCRETE REQUIRED (CF)	157	74	43	81	157	74	43	81
TYPICAL DIMENSIONS IN FEET	LENGTH		WIDTH		LENGTH		WIDTH	
	6.33	5	4	5.25	6.33	5	4	5.25
	HEIGHT		HEIGHT		HEIGHT		HEIGHT	
4		3		4		3		

City of Meriden
Department of Public Works
Water Main Standards

Engineering Division
City Hall  Room 19
Meriden, Connecticut

DATE: 02/22/2013
DESIGN:
DRAWN: BBD
SCALE: NONE
DWG. WMS2
SHEET 2
OF 2